

## Toggle Clamps

Pneumatic, Heavy Duty „Longlife“

### SPECIFICATION

#### Types

- Type **APV**: Clamping arm with slotted hole, with two flanged washers
- Type **CPV**: Clamping arm with slotted hole, with two flanged washers, GN 708.1 Spindle assembly (see page )
- Type **EPV**: Clamping arm with bushing

#### Coding

Coding **M**: Magnetic piston

Base

Steel, phosphate-treated

Bearing pins / bushings

Steel

hardened and ground

Double-action air cylinder

with adjustable end position damping

Max. pressure 6 bar

All moving parts

Lubricated with special grease

- Spindle assembly GN 708.1(see page ), type A

- Steel, zinc plated

- Rubber tip 85 Shore A



### INFORMATION

Toggle clamps „Longlife“ GN 962 are equipped with a reinforced body and hardened and ground bearing pins / bushings. This makes them suitable for applications in which substantial forces arise and a long service life is required.

To ensure an extended life of the mechanical parts as well as the pneumatic cylinder, the operating pressure should not exceed 6 bar. In addition, a compressed-air control unit should be mounted in the air intake line.

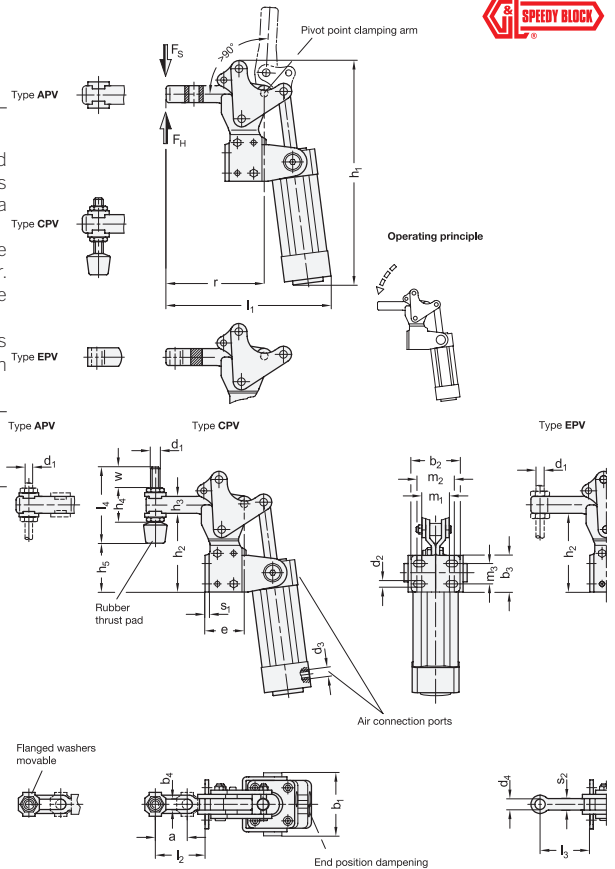
Toggle clamps GN 962 are equipped with a magnetic piston as standard. This makes end position detection possible in connection with sensors GN 3380.

### TECHNICAL INFORMATION

- List of pneumatic clamps (see page )

### ACCESSORY

- Sensor GN 3380 (see page )



### GN 962

Description	FH		Fs		a	b1	b2	b3	b4	d1	d2	d3	d4	Inside Ø		h1	h2	h3	h4	h5	l1	l2	l3	l4	m1	m2	m3	r	s1	s2	w	△
	in	N	in	N										e	z																	
GN 962-220-APV-M	220	2200	870	35	62	48	36	6.3	M6	6.5	G 1/8	-	4	38.3	221	77	16.6	27	60.3	161	51	-	65	30	34	20	96	3.5	-	26	974	
GN 962-440-APV-M	440	4400	1220	35	74	65	54	10.3	M10	8.5	G 1/4	-	6	54.1	287	106	24	37	78	195	60	-	77	42.5	46.5	30	125	5	-	19	1576	
GN 962-220-CPV-M	220	2200	870	35	62	48	36	6.3	M6	6.5	G 1/8	-	4	38.3	221	77	16.6	27	60.3	161	51	-	65	30	34	20	96	3.5	-	26	992	
GN 962-440-CPV-M	440	4400	1220	35	74	65	54	10.3	M10	8.5	G 1/4	-	6	54.1	287	106	24	37	78	195	60	-	77	42.5	46.5	30	125	5	-	19	3755	
GN 962-850-EPV-M	850	8500	2280	-	87.5	75	75	-	M12	10.5	G 1/4	12.5	8	70.7	355	140	31	-	-	229	-	-	68	-	52	56	55	151	6	12	-	3700